



**LM7X30**

7X30W LED RGBW Zoom Wash Moving Head

**USER MANUAL**



**For safety, please read this user manual carefully before initial use.**

Event Lighting reserves the right to revise the manual at any time. Information and specifications within this manual are subject to change without notice. Event Lighting assumes no liability or responsibility for any errors or omissions. Please consult Event Lighting for any clarification or information regarding this item.

Version: 1.0 (revised 05/11/2020)

# Safety Instructions

## Warning

- Do not open this device, there are no user-serviceable parts inside. Risk of electric shock.
- Do not look at the light source when the device is on.

## Caution: This unit's housing may be hot during and after operation.

- Install this device in a location with adequate ventilation, at least 20 inch (50 cm) from adjacent surfaces.
- Do not leave any flammable material within 50 cm of this unit while operating or connected to power.
- Use a safety chain when mounting this device overhead.
- Do not operate this device outdoors or in any location where dust, excessive heat, water, or humidity may affect it.
- Do not operate this device if the housing, lenses, or cables appear damaged.
- Do not connect this device to a dimmer or rheostat.
- ONLY connect this device to a grounded and protected circuit.
- ONLY use the hanging bracket to carry this device.
- In case of a serious operating problem, stop using immediately.
- The maximum ambient temperature is 104° F (40° C). Do not operate this device at higher temperatures.

## Power Input & Power Linking

This device has an auto-switching power supply work with input voltage range of 100~240 VAC, 50/60 Hz.

## Fuse Replacement

If the fine-wire fuse of the device fuses, only replace the fuse by a fuse of same type and rating. Before replacing the fuse, unplug mains lead.

## Procedure:

Step 1: Unscrew the fuse holder on the rear panel with a fitting screwdriver from the housing (anticlockwise).

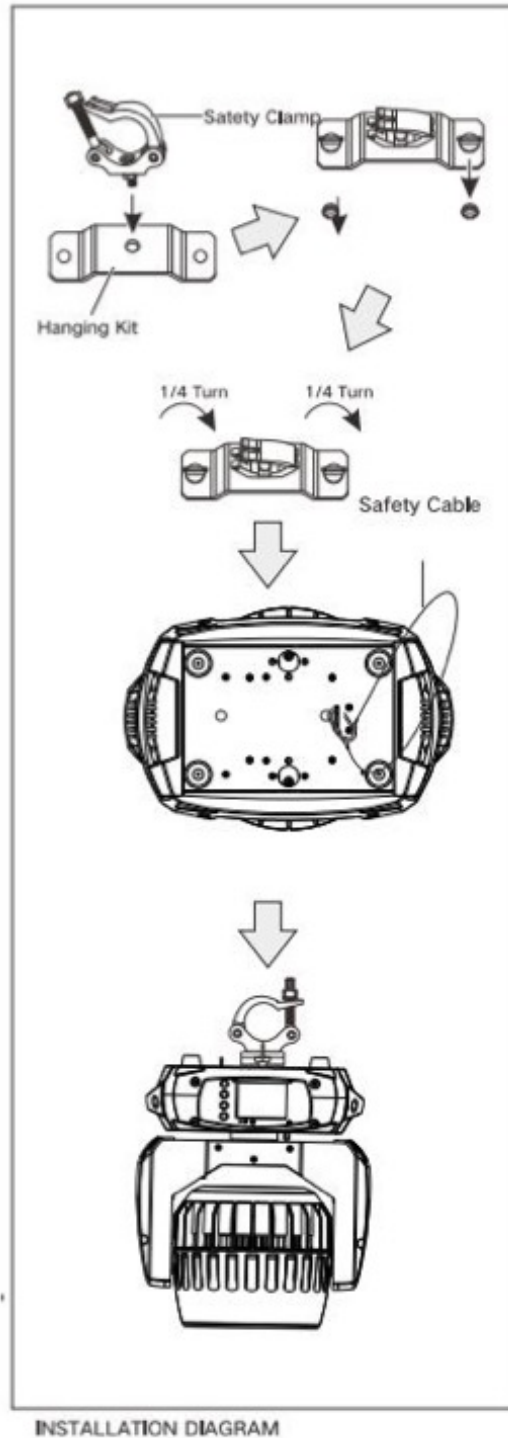
Step 2: Remove the old fuse from the fuse holder.

Step 3: Install the new fuse in the fuse holder.

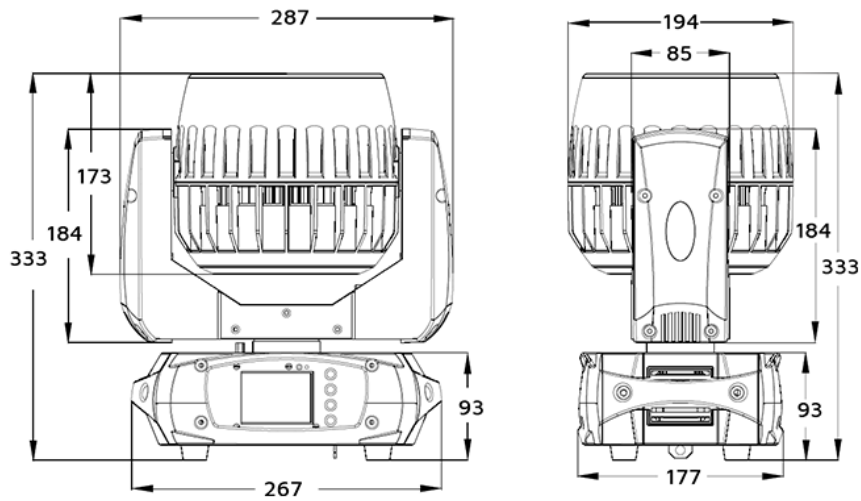
Step 4: Replace the fuse holder in the housing and fix it.

## Product Installation

- This device can be mounted in many orientations provided each individual device is secured by the use of correct mounting bracket.
- Use a safety chain when mounting this device overhead.



## Dimensions



## Lux Chart

### Lux chart @ 6°

	1m	3m	5m
	Ø0.11	Ø0.31	Ø0.52
R	22,800	3,280	1,310
G	25,300	3,940	1,150
B	39,900	6,050	2,280
W	43,000	6,700	2,590
FULL	115,000	19,130	7,230

### Lux chart @ 60°

	1m	3m	5m
	Ø1.16	Ø3.46	Ø5.77
R	2,060	320	136
G	2,690	360	150
B	4,260	590	210
W	4,670	620	230
FULL	13,200	1,760	630

## Menu Operation



Menu – Move up a level.

Up – Move selection up one item.

Down – Move selection down one item.

Enter – Select / Move down a level.

## Menu

MENU			DESCRIPTION
DMX (Function Mode)	DMX Address	A001~AXXX	DMX Address Setting
	Channel Mode	CH17	17 Channel Mode
		CH15	15 Channel Mode
	Auto Run	Program 1~8	Master/Alone
Music Run	Program 1~8	Master/Alone	Music Control State
SET (Fixture Set)	Reset Default	Yes/No	Reset to Default Setting
	Signal Set	DMX Wireless DMX Wireless TX	Wired DMX Wireless DMX Receiver Wireless DMX Transceiver
	Reverse Pan	(On/Off)	Reverse Pan
	Reverse Tilt	(On/Off)	Reverse Tilt
	Select Pan	630°/540°/360°	Select Pan (Default 540°)
	Select Tilt	270°/180°/90°	Select Tilt (Default 270°)
	Mic Sens.	0~99%	Microphone Sensitivity Setting
	Hold on no	(On/Off)	Hold or no hold when no Signal
Limit Mode	OFF/Center/Right/Left	Select Edge or Corner Range	
MAN (Manual)	Reset	All Pan/Tilt Zoom	Reset all Settings Reset Pan/tilt Settings Reset Zoom Settings
	Channel	PAN=XXX.....	Manual Control Channel
ADV (Advanced) (Access Code 088)	Calibration	PAN=XXX.....	Calibration

The default selection for each setting is highlighted.

# DMX Chart

Mode/Channel		Value	Function
17	15		
1	1		<b>Dimmer</b>
		0..255	Dimmer 0%...100%
2	2		<b>Shutter</b>
		0..31	Shutter closed
		32..63	Shutter open
		64..95	Strobe effect slow to fast
		96..127	Shutter open
		128..159	Pulse effect, slow to fast
		160..191	Shutter open
		192..223	Random strobe effect, slow to fast
224..255	Shutter open		
3	3		<b>Pan</b>
		0..255	PAN Movement
4			<b>Pan Fine</b>
		0..255	Fine control of Pan movement
5	4		<b>Tilt</b>
		0..255	Tilt Movement
6			<b>Tilt Fine</b>
		0..255	Fine control of Tilt movement
7	5		<b>Zoom</b>
		0..255	In(near) to out(far)
8	6		<b>Speed pan/tilt</b>
		0..225	Pan/tilt speed, fast to slow
		226..235	Blackout during pan/tilt functions
		236..255	TBD
9	7		<b>Red</b>
		0..255	Red 0-100%
10	8		<b>Green</b>
		0..255	Green 0-100%
11	9		<b>Blue</b>
		0..255	Blue 0-100%
12	10		<b>White</b>
		0..255	White 0-100%
13	11		<b>Macro</b>
		0..15	TBD
		16..31	Red
		32..47	Green
		48..63	Blue
		64..79	White
		80..95	Red+Green
		96..111	Red+Blue
		112..127	Red+White
128..143	Green+Blue		

		144..159	Green+White
		160..175	Blue+White
		176..191	<b>R+G+B</b>
		192..207	R+G+B+W
		208..223	Jump effect
		224..239	Fading effect
		240..255	Pulse effect
14	12		<b>Macro Speed</b>
		0..255	Macro speed from slow to fast
15	13		<b>Colour Temp</b>
		0..15	TBD
		16..45	Below 3200K
		46..75	3200K - 3500K
		76..105	3500K - 5000K
		106..135	5000K - 5500K
		136..165	5500K - 6000K
		166..195	6000K - 6500K
		196..225	6500K - 7000K
		226..255	7000K - 8000K
16	14		<b>Visual Tungsten Lamp</b>
		0..15	TBD
		16..255	Tungsten lamp effect is gradually enhanced
17	15		<b>Special function</b>
		0..19	TBD
		20..39	TBD
		40..59	TBD
		60..79	TBD
		80..84	Reset all
		85..94	Reset scan
		95..99	Reset zoom
		100..109	Internal program 1
		110..119	Internal program 2
		120..129	Internal program 3
		130..139	Internal program 4
		140..149	Internal program 5
		150..159	Internal program 6
		160..169	Internal program 7
		170..179	Internal program 8
		180..189	Internal sound program 1
		190..199	Internal sound program 2
		200..209	Internal sound program 3
		210..219	Internal sound program 4
		220..229	Internal sound program 5
		230..239	Internal sound program 6
		240..249	Internal sound program 7
		250..255	Internal sound program 8

The device is controlled by universal DMX 512 protocol, DMX address is the start channel used to receive instructions from the external controller. For independent control, each fixture must be assigned its unique address control channels. For example, this device has two channel modes: 15/17, if we set the mode at standard 17 channels mode, and there are several models need to be independently controlled, we just simply address first fixture at 1, and second fixture at 18, third one at 35, etc.

- If the devices have the same address, they will behave synchronically.
- Display is flashing when no DMX signal is received.

## More Functions

- Software upgrade function via DMX cable. If there is any new firmware for this device, it can be upgraded simply via a software upgrade box, without the need to change any mechanical parts. The upgrade box is not included in the package, if you need any further assistance please contact your authorized dealer.
- Hibernation. The device will enter sleep mode if activated after a period of disconnecting DMX signal to save power and will wake immediately when the DMX signal is sent or received again.

## Technical Specifications

### Photometric

- Light Source: 7pcs 30W RGBW LEDs
- Beam Angle: 6°~60°
- Output: 19,130lux @ 3m @ 6°
- PWM: 1,000Hz
- LED Lifespan: 50,000hours

### Effects

- Dimming: 0~100%
- Strobe: 1.4~21Hz
- Zoom: 6°~60° linear via DMX

### Movement

- 8/16 – bit, auto-reposition
- Pan: 360°/540°/630°
- Tilt: 90°/180°/270°
- Limit mode: Centre/Corner/Edge

### Power



- Input Voltage: 90~260V AC, 50/60 Hz
- Power Consumption: 240W
- Connection: PowerCon in
- Fuse: F4A, 250V

## **Control**

- Protocol: DMX512
- Operation Modes: DMX, manual, auto, sound active, master/slave
- DMX Channels: 15/17
- Interface: 3-pin XLR in/out
- Built-in Programming: Yes
- Sound Active: Yes
- Display: 4-button 1.8inch TFT LCD display control panel

## **Housing**

- Materials: Metal & flame retardant ABS
- Finishing: Matte black
- IP rating: IP20
- Cooling: Fan
- Net Weight: 6kg
- Rigging: 1pc omega brackets with 1/4- turn quick locks

## **Warranty**

Please refer to your local dealer or contact Event Lighting Pty Ltd.